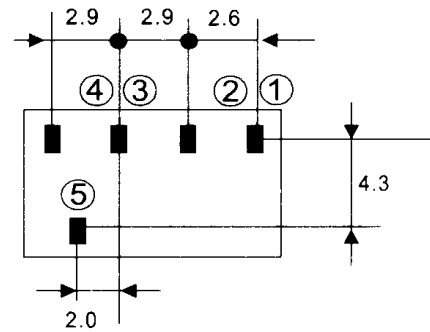
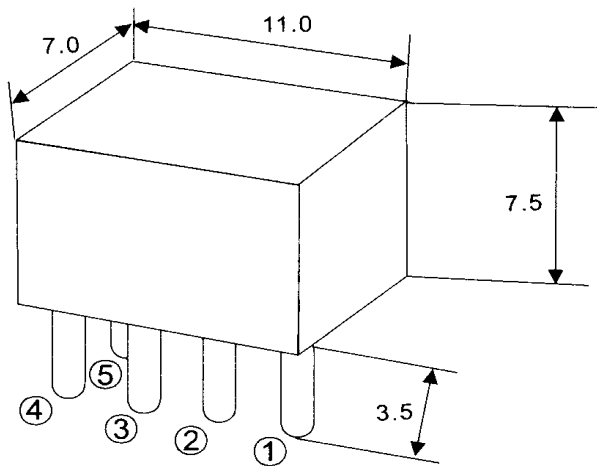




LTS 455(450).W SERIES

Part Number	Center Frequency (KHz)	Insertion Loss (dB)	PassBand Ripple (dB) max	6dB Bandwidth (KHz) min	50dB Bandwidth (KHz) min	Stop Band Att. ± 10 KHz (dB) min	I/O Impedance (Ω)
LTS450BW	450 \pm 2.0	4	2	± 15	± 30	40	1500
LTS455BW	455 \pm 2.0	4	2	± 15	± 30	40	1500
LTS450CW	450 \pm 2.0	4	2	± 12.5	± 24	40	1500
LTS455CW	455 \pm 2.0	4	2	± 12.5	± 24	40	1500
LTS450DW	450 \pm 1.5	4	2	± 10	± 20	40	1500
LTS455DW	455 \pm 1.5	4	2	± 10	± 20	40	1500
LTS450EW	450 \pm 1.5	6	2	± 7.5	± 15	40	1500
LTS455EW	455 \pm 1.5	6	2	± 7.5	± 15	40	1500
LTS450FW	450 \pm 1.5	6	2	± 6	± 12.5	40	2000
LTS455FW	455 \pm 1.5	6	2	± 6	± 12.5	40	2000
LTS450GW	450 \pm 1.5	6	2	± 4.5	± 10	40	2000
LTS455GW	455 \pm 1.5	6	2	± 4.5	± 10	40	2000
LTS450HW	450 \pm 1.0	6	2	± 3	± 9	40	2000
LTS455HW	455 \pm 1.0	6	2	± 3	± 9	40	2000
LTS450IW	450 \pm 1.0	6	2	± 2	± 7.5	40	2000
LTS455IW	455 \pm 1.0	6	2	± 2	± 7.5	40	2000
LTS450HTW	450 \pm 1.0	6	2	± 3	± 9	60	2000
LTS455HTW	455 \pm 1.0	6	2	± 3	± 9	60	2000



- ① Input
 - ②③④ Ground
 - ⑤ Output
- (in mm)